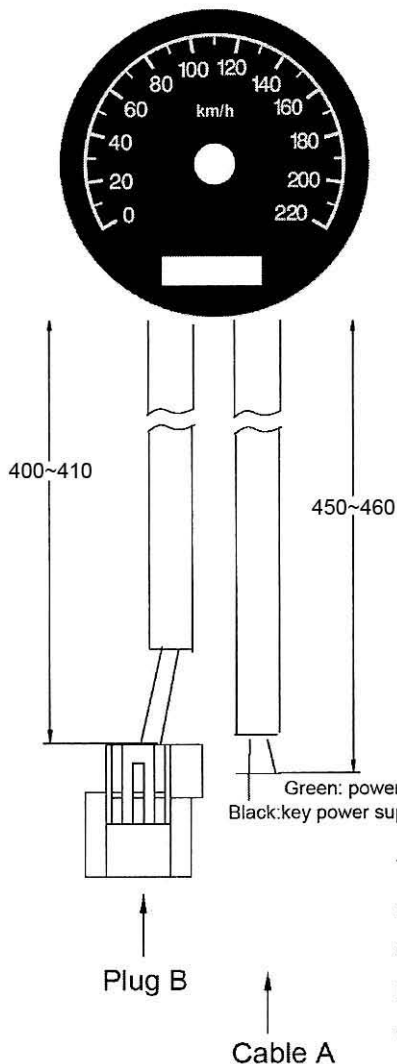


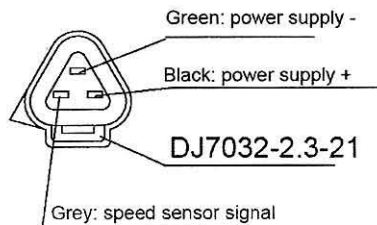
Model

Electronic Speedometer KPH XS# 03-0672

Drawing



Plug B



Function:

1. Stepper motor controlled speed
2. LCD Odometer
3. Key specification: three pcs of pulse per rotation

Turn off the power supply, press the mode button and do not release, turn on the power supply and it shows the circumference size(from 1400-2299mm) on the LCD, the preset size is 1995mm. You can click the mode button to change the size.